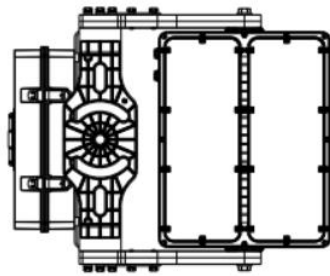
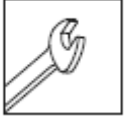
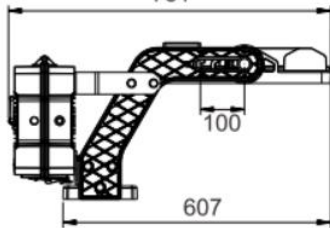


RIGEL GEN2

[FI] Asennusohje
[UK] Installation instruction
[SE] Installationsanvisning

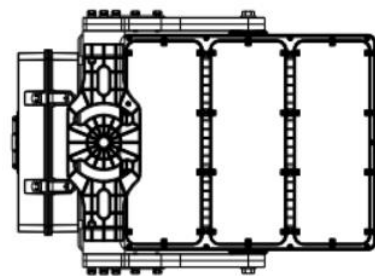


731

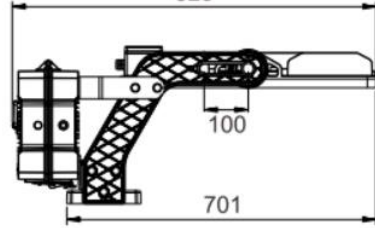


607

800W

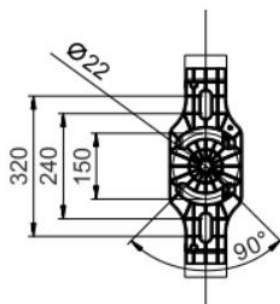


825



701

1200W



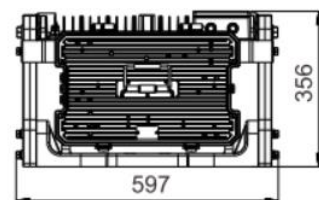
Ø22

320

240

150

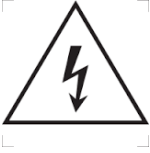
90°



356

600W/800W/1000W/1200W

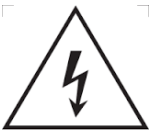
Greenled
Oritkarintie 4
90400 Oulu
FINLAND



Turvallisuusvaroitukset:

Ennen asennusta tai huoltotyötä kytke valaisin irti sähköverkosta välttääksesi sähköiskun vaaran!

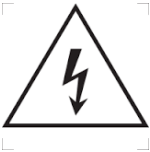
- Asennus / huoltotyön saa tehdä vain valtuutettu henkilö
- Valaisimen asennuksen / huoltotyön saa suorittaa vain pätevä henkilö näiden ohjeiden mukaisesti.
- Valmistaja ei kannu vastuuta valaisimen väärästä käytöstä
- Älä katso suoraan päällä olevaan valaisimeen
- Valaisimen valonlähteen saa vaihtaa ainoastaan Greenled, Greenledin valtuuttama huoltaja tai vastaavan pätevyyden omaava henkilö



Safety notes:

Before installation or change work disconnect the power to reduce electrical shock risk!

- Installation / maintenance can only be done by a skilled personnel
- Installation / maintenance of luminaire must be performed by qualified person following the instructions given in the instruction set
- The manufacturer bears no liability for damage caused by inappropriate use or application
- Do not stare at the operating light source
- The light source contained in this luminaire shall only be replaced by the Greenled or Greenled's service agent or a similar qualified person



Säkerhetsvarningar:

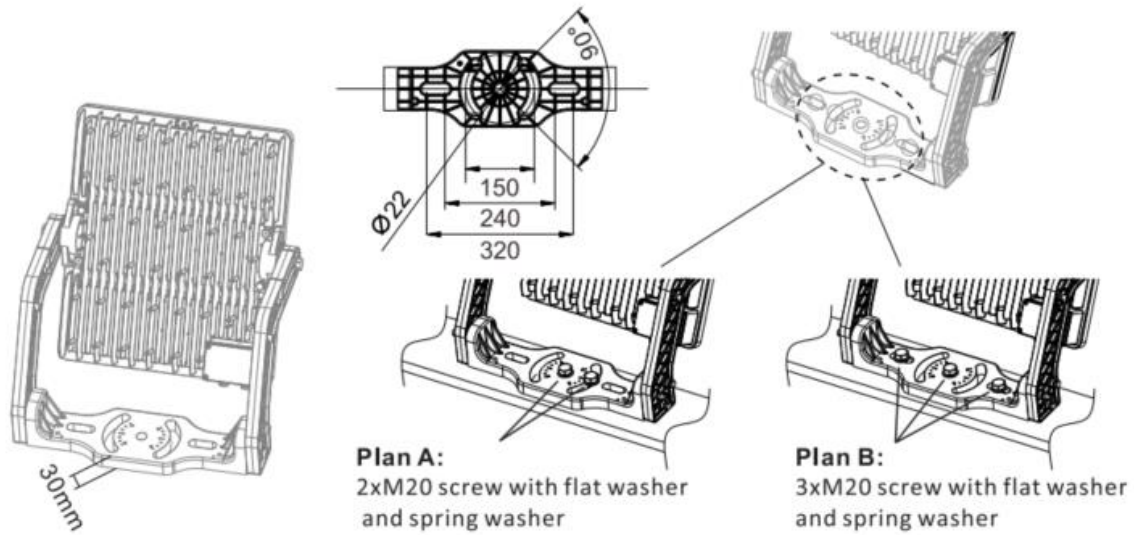
Koppla alltid bort armaturen från elnätet i samband med installation ti den som använder armaturen.

- Installations- och underhållsarbeten får endast utföras av en behörig installatör
- Installations-/underhållsarbetet får endast utföras enligt dessa anvisningar av en person med tillräckliga kunskaper
- Tillverkaren ansvarar ej för felaktig användning av armaturen
- Titta aldrig rakt in i en påslagen armatur
- Ljuskällan inuti armaturen får endast bytas av antingen Greenled, en Greenled-auktoriserad servicetekniker eller en person med motsvarande kompetens

Table 1

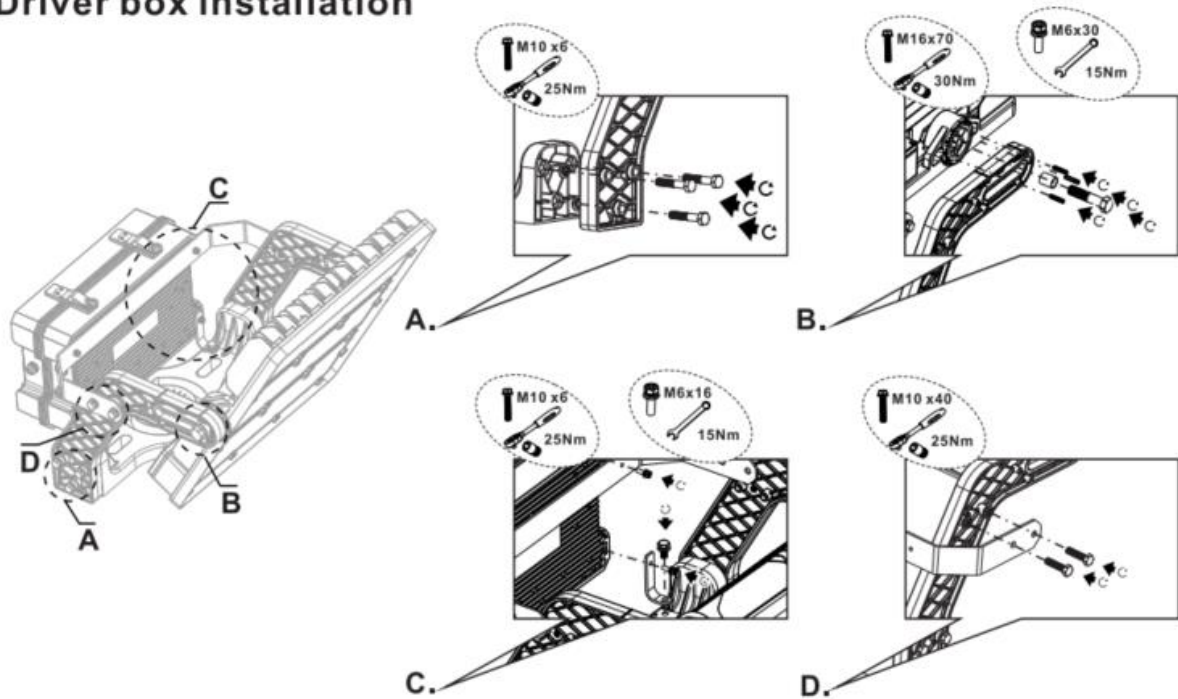
Lamp Type	Lens Type	CCT	CRI	Flux (lm±10%)	W ±5%	Input Voltage	Outdoor Ta°C	Indoor Ta°C	Outdoor Ta°C	With Driver Box	Without Driver Box
1200W	F19801/F19803/F19808	5000K	70	168000	1200	100-480Vac	50°C	40°C	-40°C	33.2kg	20.7kg
1200W	F19802/F19804/F19805/ F19806/F19807	5000K	70	180000	1200	100-480Vac	55°C	45°C	-40°C	33.2kg	20.7kg
1200W	F19801/F19803/F19808	5000K	80	156000	1200	100-480Vac	50°C	40°C	-40°C	33.2kg	20.7kg
1200W	F19802/F19804/F19805/ F19806/F19807	5000K	80	168000	1200	100-480Vac	55°C	45°C	-40°C	33.2kg	20.7kg
1200W	F19801/F19803/F19808	5000K	90	120000	1200	100-480Vac	50°C	40°C	-40°C	33.2kg	20.7kg
1200W	F19802/F19804/F19805/ F19806/F19807	5000K	90	132000	1200	100-480Vac	55°C	45°C	-40°C	33.2kg	20.7kg
800W	F19801/F19803/F19808	5000K	70	112000	800	100-480Vac	50°C	40°C	-40°C	29.8kg	17.3kg
800W	F19802/F19804/F19805/ F19806/F19807	5000K	70	120000	800	100-480Vac	55°C	45°C	-40°C	29.8kg	17.3kg
800W	F19801/F19803/F19808	5000K	80	104000	800	100-480Vac	50°C	40°C	-40°C	29.8kg	17.3kg
800W	F19802/F19804/F19805/ F19806/F19807	5000K	80	112000	800	100-480Vac	55°C	45°C	-40°C	29.8kg	17.3kg
800W	F19801/F19803/F19808	5000K	90	80000	800	100-480Vac	50°C	40°C	-40°C	29.8kg	17.3kg
800W	F19802/F19804/F19805/ F19806/F19807	5000K	90	88000	800	100-480Vac	55°C	45°C	-40°C	29.8kg	17.3kg

Bracket installation

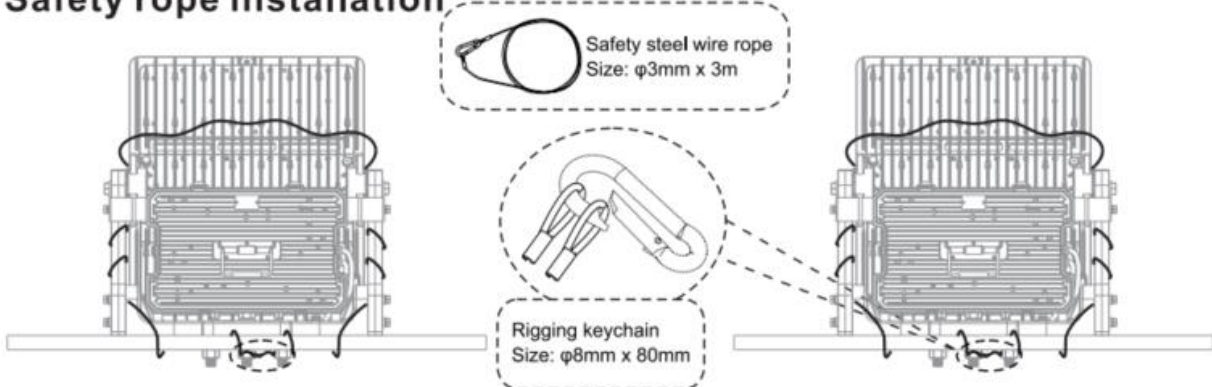


*Plan B is recommended when the installation height of the lamp exceeds 3 meters.

Driver box installation



Safety rope installation



Rotatable Angle

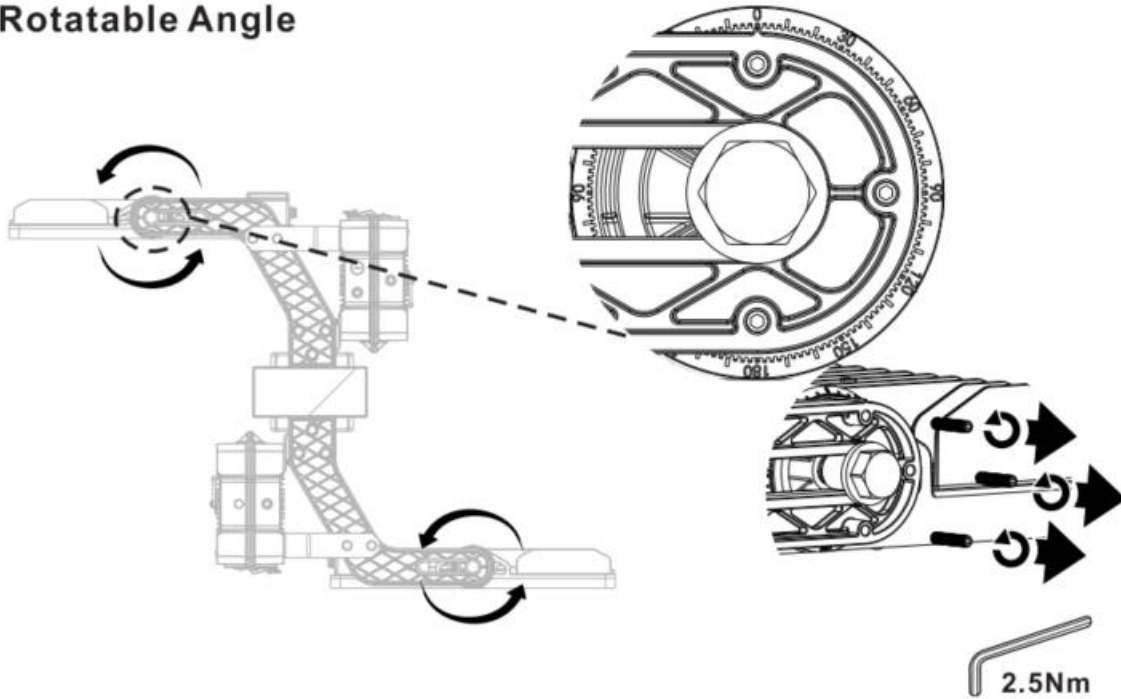
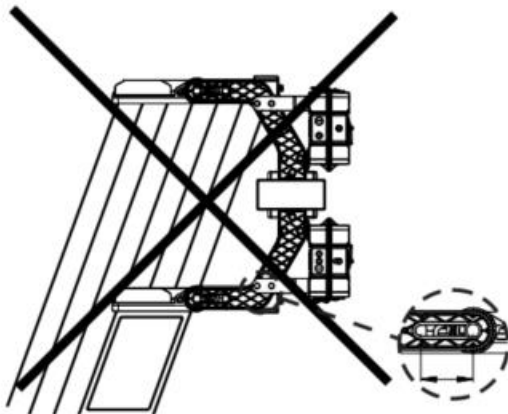


Table 3

	Lamp body angle	0°	15°	30°	40°	50°	65°	90°
EPA Unit: M ² /ft ²	800W without driver box	0.091/0.98	0.141/1.52	0.197/2.12	0.230/2.47	0.256/2.75	0.285/3.06	0.298/3.2
	800W with driver box	0.2/2.15	0.224/2.41	0.258/2.77	0.279/3	0.295/3.17	0.315/3.39	0.328/3.53
	1200W without driver box	0.091/0.98	0.165/1.77	0.244/2.62	0.261/2.81	0.329/3.54	0.371/3.99	0.392/4.22
	1200W with driver box	0.2/2.15	0.237/2.55	0.283/3.04	0.290/3.12	0.334/3.59	0.371/3.99	0.392/4.22

Positions Not Allowed



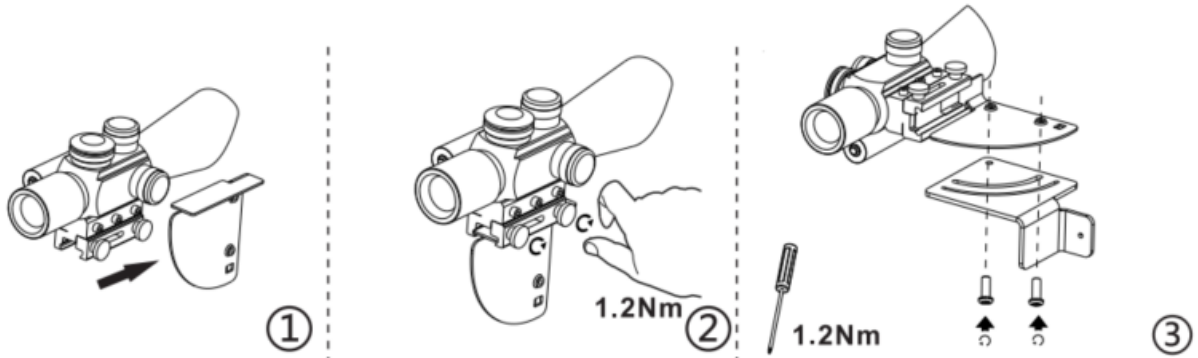
*The lower luminaire should be properly installed to avoid blocking the light from the upper luminaire.



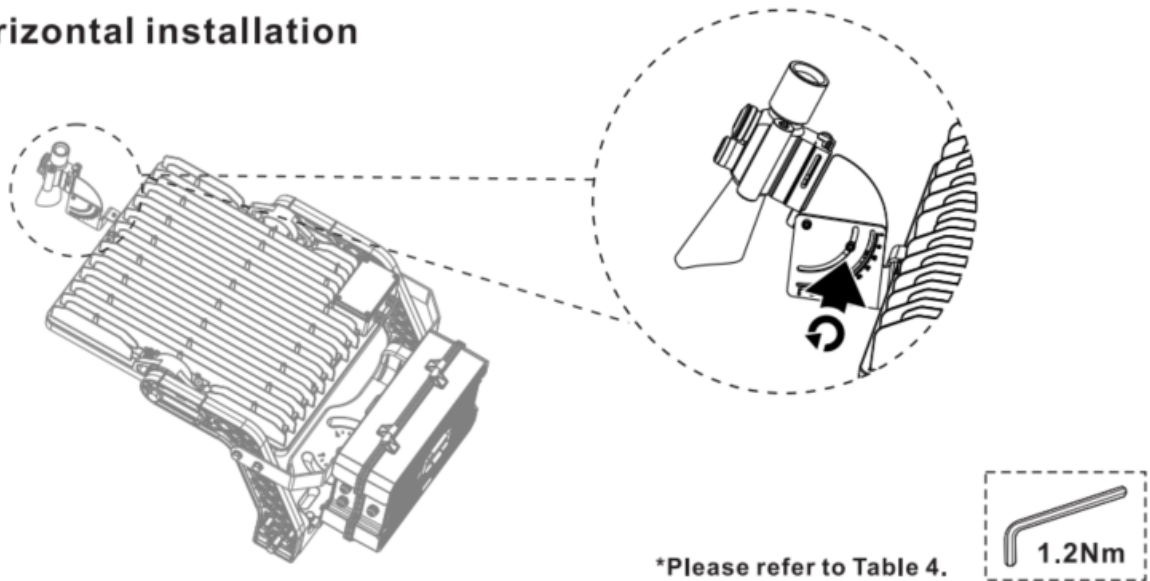
*Please swivel the module appropriately, without touching the bracket or driver box.

Aiming Device Installation

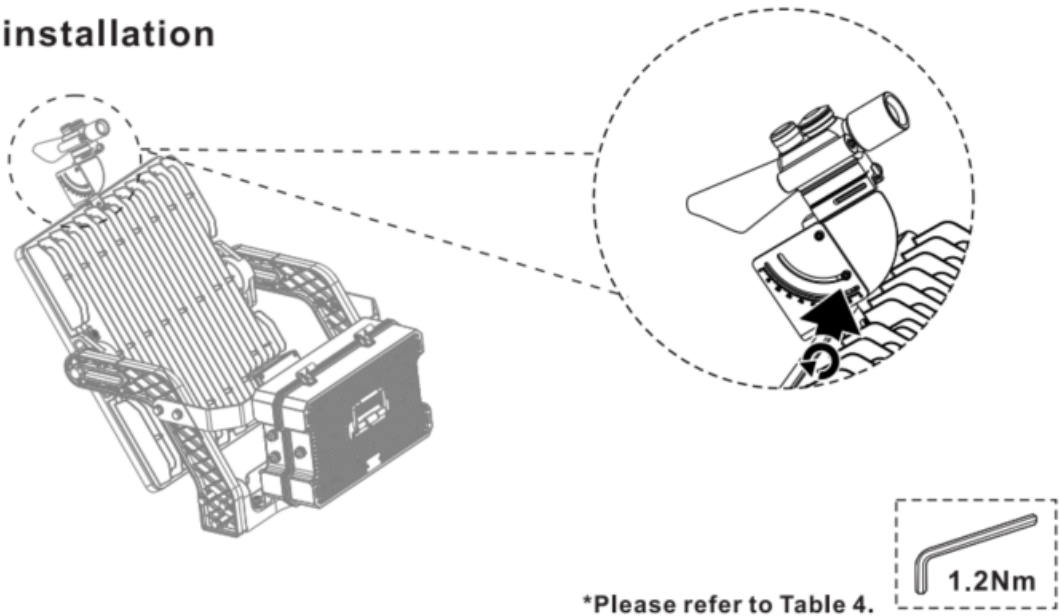
(Laser sight and bracket need to be purchased separately)

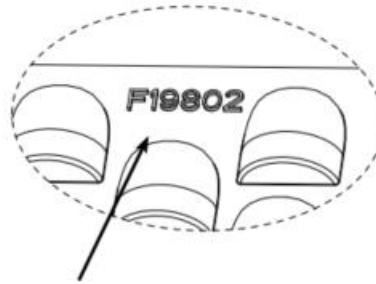


Horizontal installation



Vertical installation





To keep the aiming direction of the aiming device same with luminaire lighting distribution, the aiming device shall be adjusted preliminarily to certain angle, please refer to below table for different beam angles.

Table 4

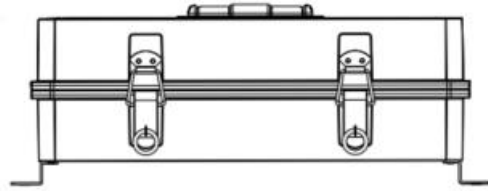
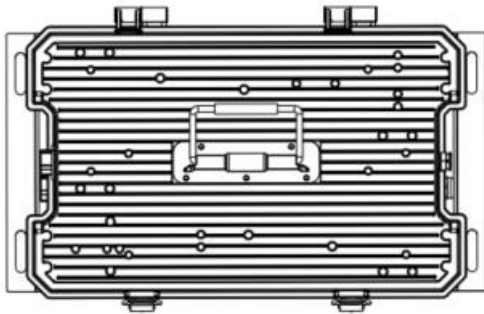
Lens Type	F19801	F19802	F19803	F19804
Aiming device mounting angle	5°	35°	53°	0°
photometric data				
Luminaire mounting type				
	Horizontal installation	Horizontal installation	Horizontal installation	Vertical installation

Lens Type	F19805	F19806	F19808
Aiming device mounting angle	0°	0°	30°
photometric data			
Luminaire mounting type			
	Vertical installation	Vertical installation	Horizontal installation

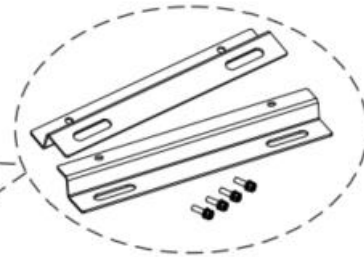
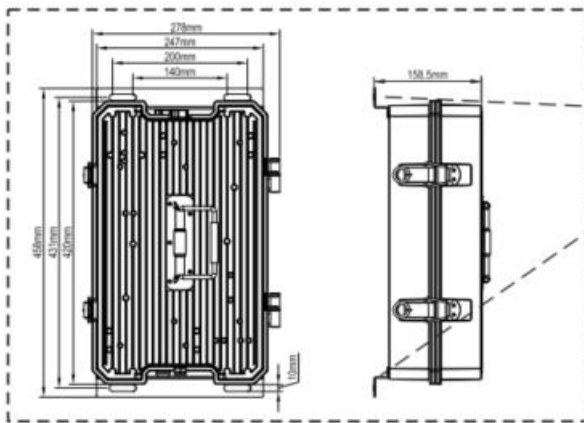
RIGEL GEN2

[FI] Asennusohje
[UK] Installation instruction
[SE] Installationsanvisning

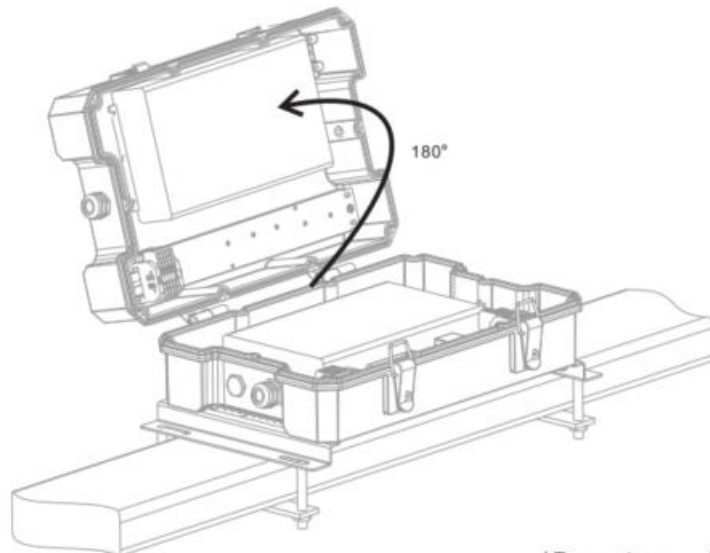
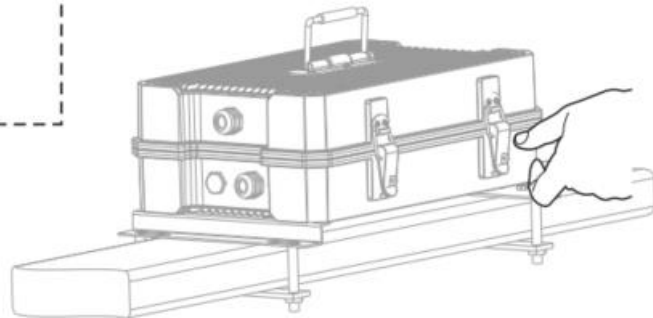
Driver Box



Driver box installation



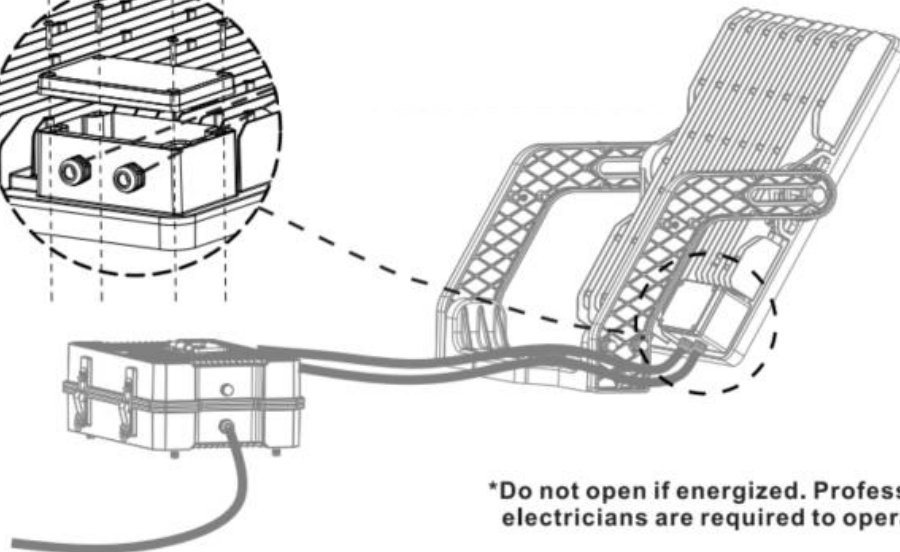
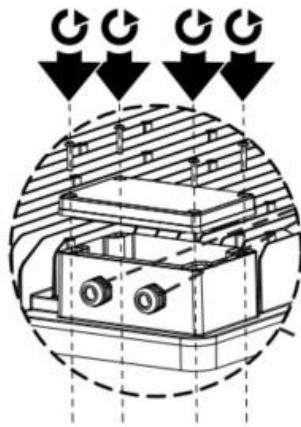
*Optional accessories



***Do not open if energized. Professional electricians are required to operate.**

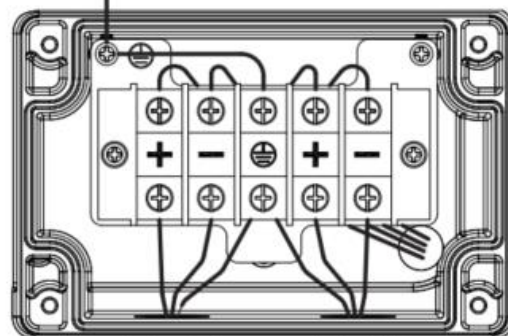
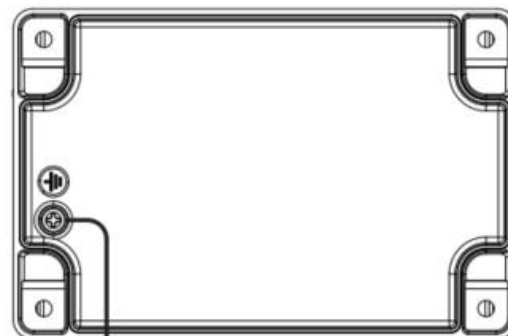
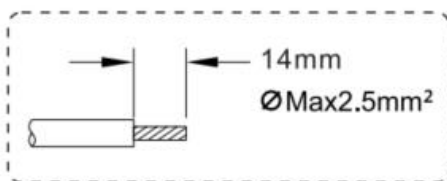
RIGEL GEN2

[FI] Asennusohje
[UK] Installation instruction
[SE] Installationsanvisning

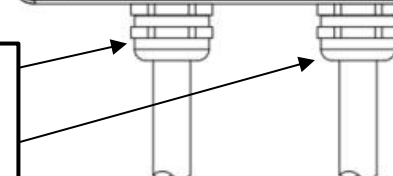


*Do not open if energized. Professional electricians are required to operate.

Driver box wiring



Make sure the grommets are tightened.

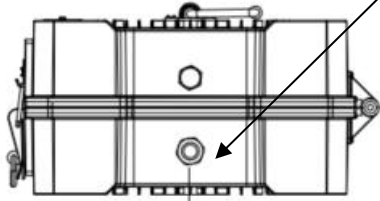


RIGEL GEN2

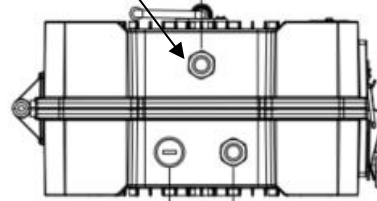
[FI] Asennusohje
[UK] Installation instruction
[SE] Installationsanvisning

Non-dimmable wiring

Make sure the grommets are tightened.



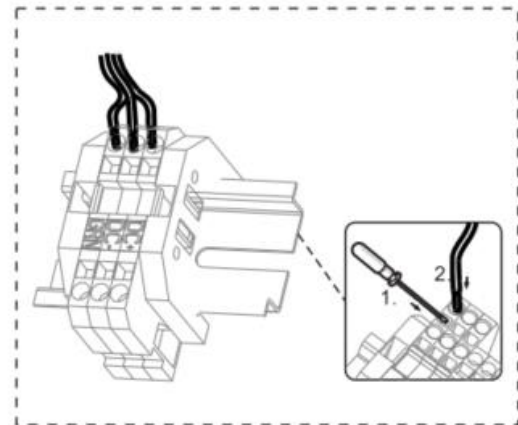
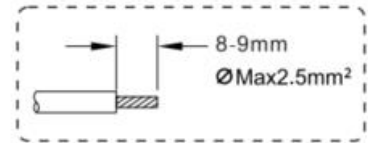
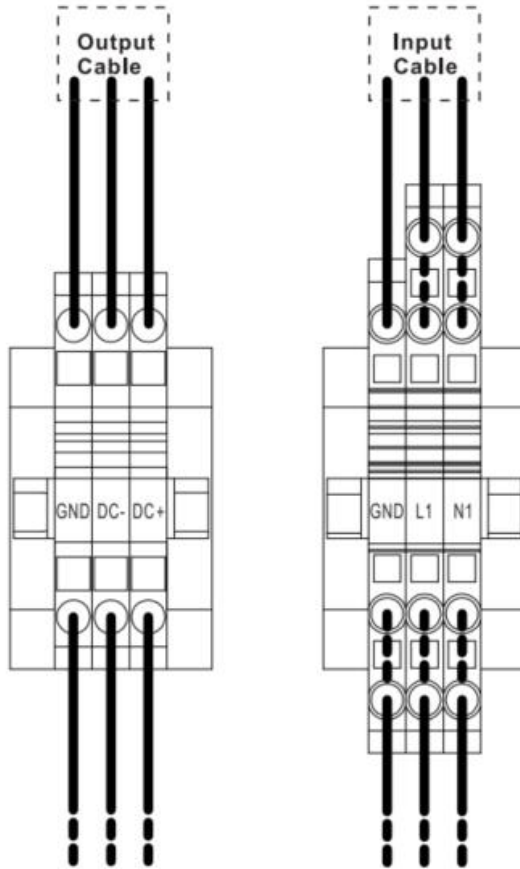
INPUT
M20 Cable Ø7-13mm
M25 Cable Ø10-16mm



M20 Cable Ø7-13mm
M25 Cable Ø10-16mm
OUTPUT

Needs to be plugged if Dali is not used

OUTPUT
M20 Cable Ø7-13mm
M25 Cable Ø10-16mm

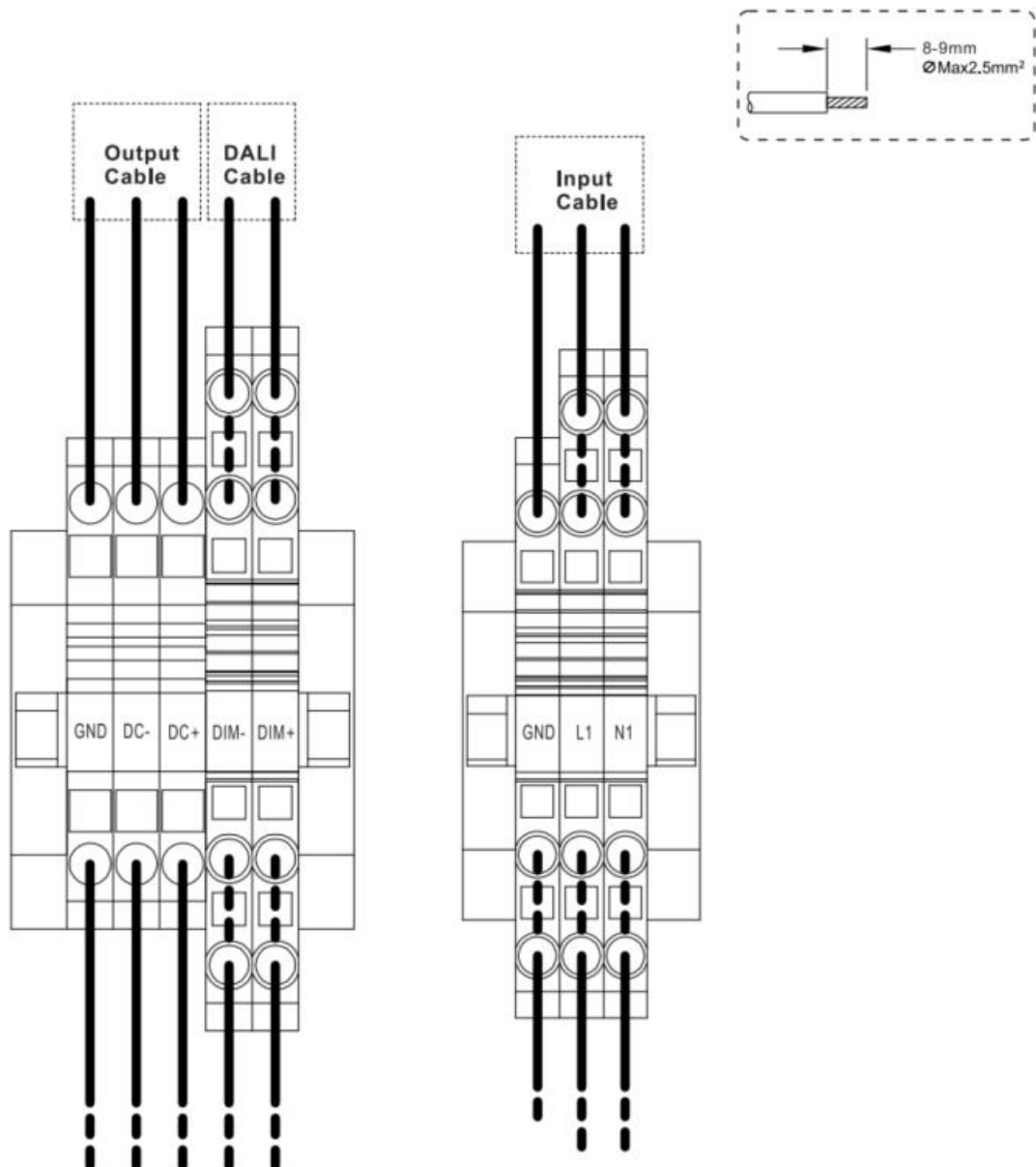
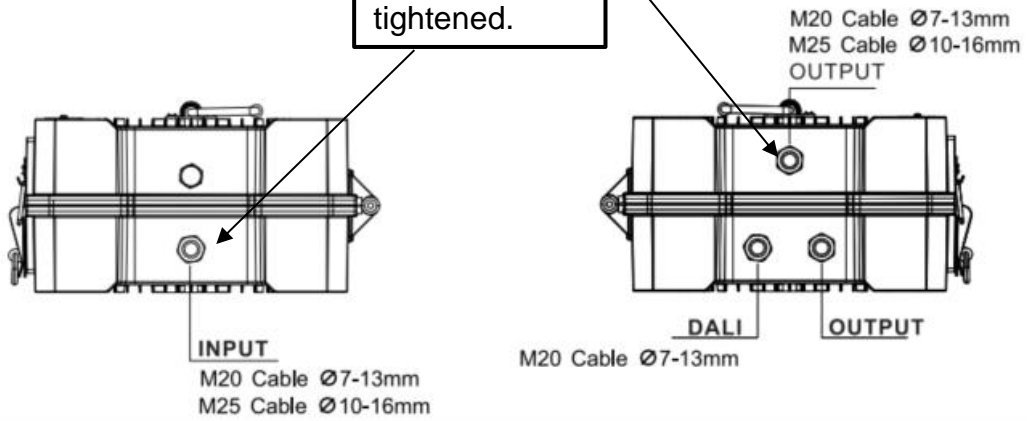


RIGEL GEN2

[FI] Asennusohje
[UK] Installation instruction
[SE] Installationsanvisning

DALI wiring

Make sure the grommets are tightened.

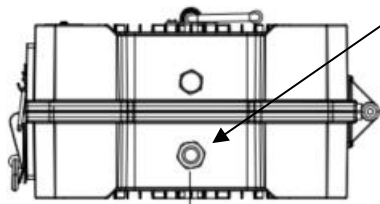


RIGEL GEN2

[FI] Asennusohje
[UK] Installation instruction
[SE] Installationsanvisning

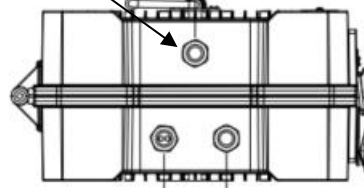
DMX wiring

Make sure the grommets are tightened.



INPUT

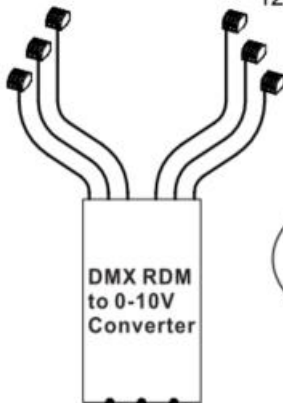
M20 Cable Ø7-13mm
M25 Cable Ø10-16mm



M20 Cable Ø7-13mm
M25 Cable Ø10-16mm
OUTPUT

DMX M20 Cable 2XØ3-5mm
OUTPUT M20 Cable Ø7-13mm
M25 Cable Ø10-16mm

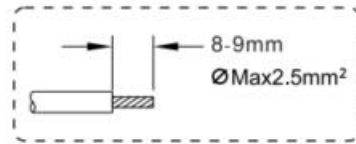
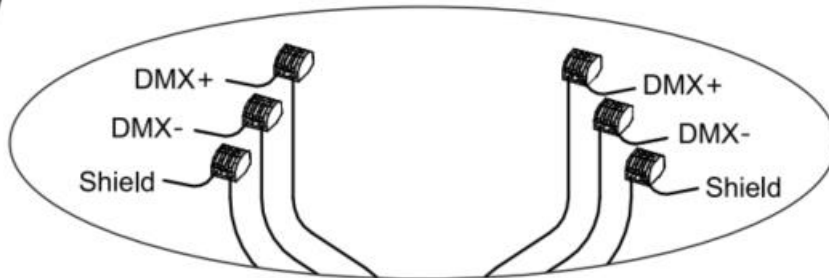
DMX Input



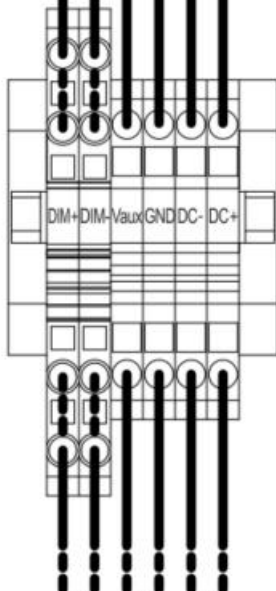
DMX RDM
to 0-10V
Converter

DMX Output

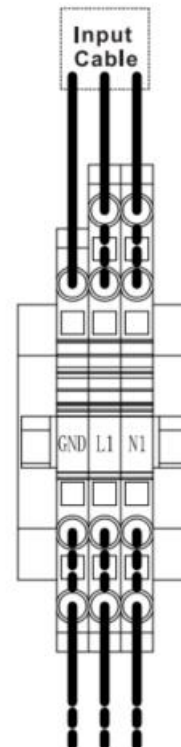
Connect next lamp or connect
120 ohm termina



Output Cable

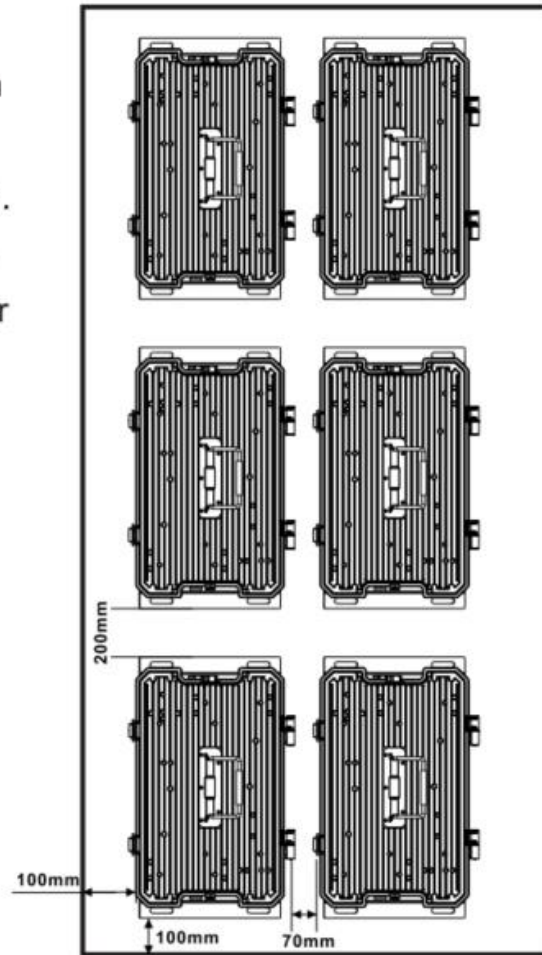


Input Cable



DISTANCES

When the driver boxes are installed in a confined space, the minimum installation distance must be ensured. And it is necessary to ensure that the temperature 5cm away from the driver box is not higher than the T_a temperature of the lamp.



* Maximum number of luminaires to be connected to standard circuit breakers (fuse)

Table 5

Lamp Type	MCB Type	Input Voltage	Quantity
1200W	MCB B Type 16A	100-240V	1
	MCB B Type 32A	100-240V	2
	MCB C Type 16A	100-240V	2
	MCB C Type 32A	100-240V	4

Lamp Type	MCB Type	Input Voltage	Quantity
800W	MCB B Type 16A	100-240V	1
	MCB B Type 32A	100-240V	2
	MCB C Type 16A	100-240V	2
	MCB C Type 32A	100-240V	4

FI

Nämä ohjeet tulee säilyttää ja luovuttaa kiinteistön käyttäjälle.

UK

It is appropriate that this information is passed on to the user of the installation.

SE

Det är lämpligt att denna information överlämnas till användaren av anläggningen.

DE

Diese Informationen sind für den Benutzer der Anlage vorgesehen.

